

# 5.00mm (.197") Crimp Style Connectors

## Specifications

- Voltage Rating : 250V AC/DC
- Current Rating : 7A AC/DC
- Withstanding Voltage : 1,500V AC/minute
- Insulation Resistance : 1,000MΩ min.
- Temperature Range : -25°C to + 85°C
- Contact Resistance : 20mΩ max.

## Features:

### ■ HOUSING

Part No. : JS-5080

Poles : 2 - 6

Material : Nylon 66 UL94V-2

Q,ty : 1,000 pcs/Bag

### ■ WAFER

Part No. : JS-5081 (Straight)

JS-5081R (Right Angle)

Poles : 2 - 6

Material : Contact : Brass, Tin Plated

Base : Nylon 66 UL94V-2

Q'ty : 1,000 pcs/Bag

### ■ TERMINAL

Part No. : JS-5001-T

JS-5001-TA (3-Point Contact)

Applicable Wires : AWG# 18 - 24

Material : Brass

Finish : Tin Plated

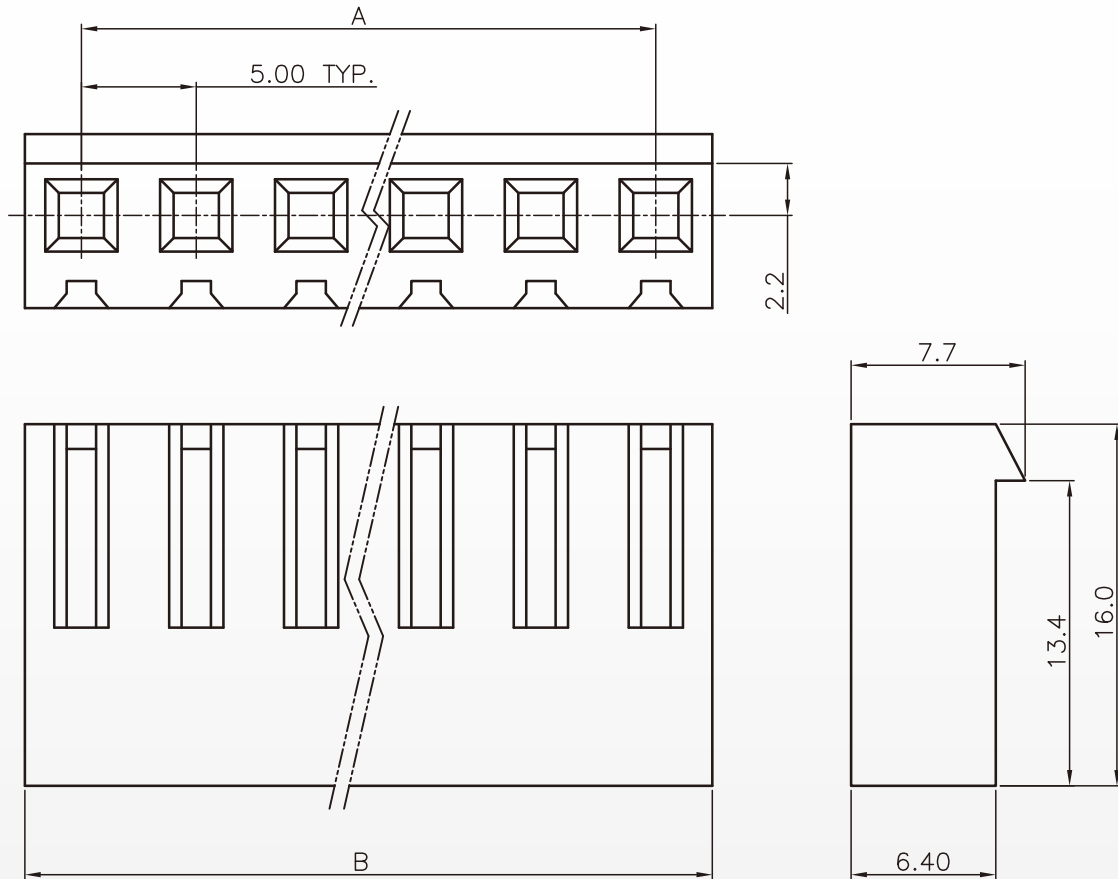
Thickness : 0.25mm

Q'ty : 6,000 pcs/Reel (for JS-5001-T)

7,000 pcs/Reel (for JS-5001-TA)

# 5.00mm (.197") Crimp Style Connectors

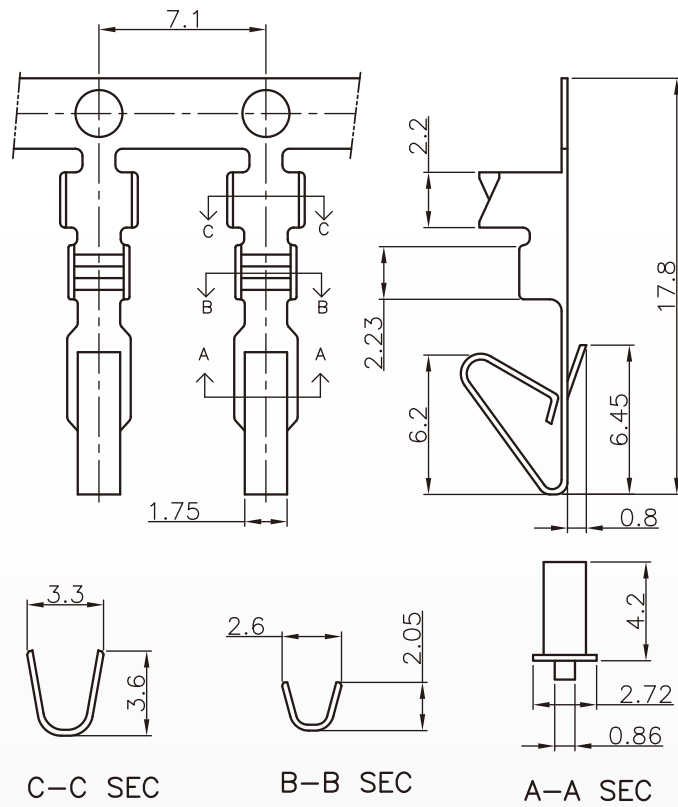
## Housing JS-5080



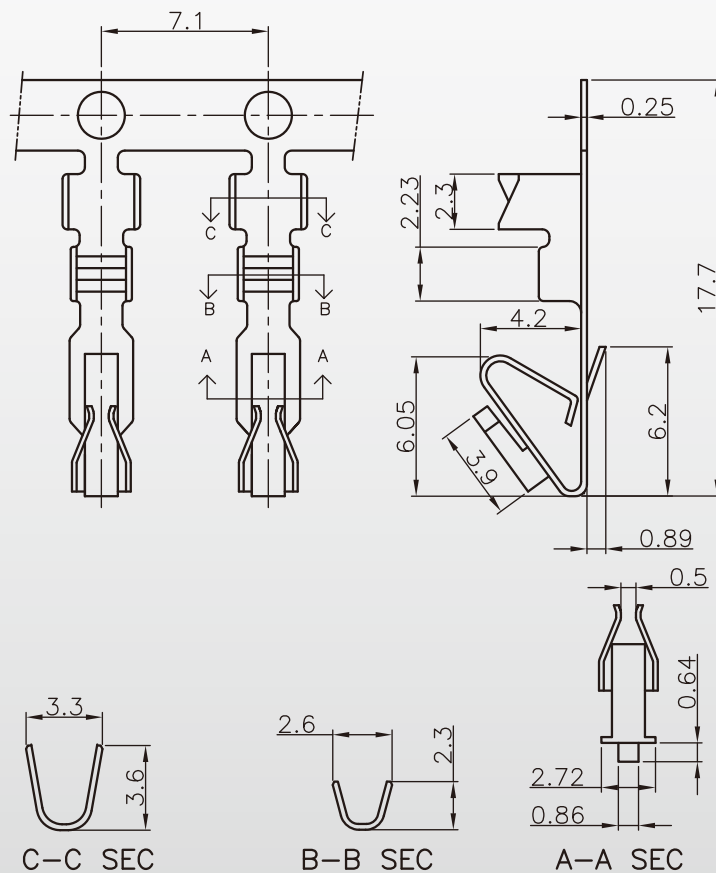
Poles	Part No.	Dimensions (mm)	
	JS-5000 (JS-5080)	A	B
2	JS-5000-02	5.0	10.0
3	JS-5000-03	10.0	15.0
4	JS-5000-04	15.0	20.0
5	JS-5000-05	20.0	25.0
6	JS-5000-06	25.0	30.0

# 5.00mm (.197") Crimp Style Connectors

## Terminal JS-5001-T

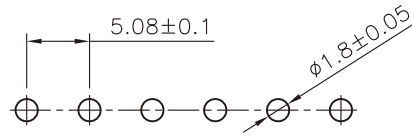
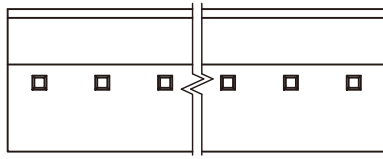


## Terminal < 3-Point Contact > JS-5001-TA

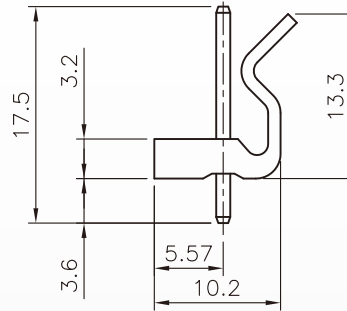
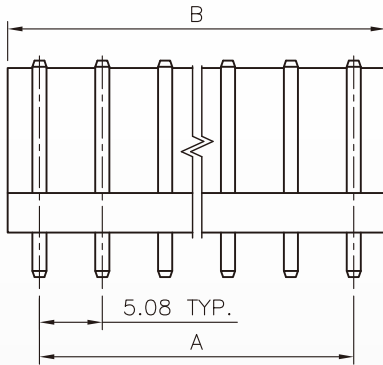


# 5.00mm (.197") Crimp Style Connectors

## Wafer - Straight JS-5081

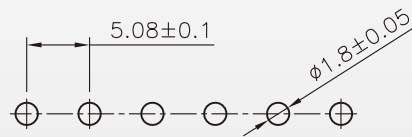
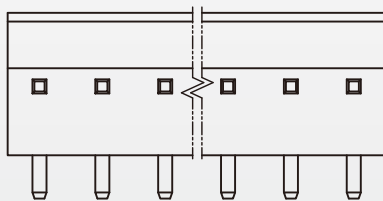


Recommand PCB Layout



Poles	Part No.		Dimensions (mm)	
	JS-5081(JS-5010)	JS-5081R(JS-5010R)	A	B
2	JS-5081-02	JS-5081R-02	5.08	10.22
3	JS-5081-03	JS-5081R-03	10.16	15.30
4	JS-5081-04	JS-5081R-04	15.24	20.38
5	JS-5081-05	JS-5081R-05	20.32	25.46
6	JS-5081-06	JS-5081R-06	25.40	30.54

## Wafer - Right Angle JS-5081R



Recommand PCB Layout

